

TEXAS

STUBBLE CULTIVATION



For Tractor From 70 - 110 Hp

USER MANUAL
g
SPARE PART LIST

ILGI

For Better Farming



DEAR CLIENT

We thank you for choosing İLGI TARIM MAKİNA, which is in service for more than 45 years without sacrificing its quality.

You have bought one of our products by choosing it from our wide product range. First of all, enjoy your new product; we are sure it will contribute to your agricultural activities.

Control the machine you received basing on the dispatch note and receive it in full.

Before the first use, please pay attention to the warnings and instructions specified in this manual. Demand your spare parts from the spare parts list by its part number. Make your machine's maintenances regularly as it is specified in the manual.

Dear client; our manuals are being updated regularly. Please make contributions by your proposals. You can convey us all kind of suggestions and complaints by mail, fax etc.

May you have wide crop.

İLGI TARIM

INDEX

1. SECURITY MEASURES.....	4
1.1 BEFORE STARTING TO USE	4
1.2 WARNING SIGNS	4
1.3 WARNING SIGNS SETTLEMENT PLAN	7
1.4 SAFETY RULES DURING WORKING.....	8
2. INTRODUCTION OF THE MACHINE	10
2.1 INTRODUCTORY AND BASIC INFORMATION RELATED WITH THE PROPERTIES OF THE MACHINE.....	10
2.2 WORKING DEPTH ADJUSTMENT	10
2.3 GENERAL STRUCTURE AND PARTS OF THE MACHINE	11
3. USAGE INFORMATION AND ADJUSTMENTS	12
3.1 MACHINERY TRACTOR COMPLIANCE	12
3.2 TO MOUNT AND DETACH IT FROM THE TRACTOR.....	13
3.3 RIGHT-LEFT AND FRONT-REAR PARALLELISM ADJUSTMENT	13
4. TILLAGE TECHNIQUE WITH THE CULTIVATOR	14
5. MAINTENANCE AND REPAIR	16
5.1 MAINTENANCE-REPAIR WHICH CAN BE DONE BY USER AND THE RULES THAT MUST BE COMPLIED	16
5.2 LUBRICATION - GREASE FITTING SCHEMATIC.....	16
5.3 END OF SEASON MAINTENANCE.....	18
5.4 VALUES FOR BOLT TORQUE.....	19
6. POSSIBLE FAILURES AND TROUBLESHOOTING	20
7. TECHNICAL FEATURES.....	21

1. SECURITY MEASURES

1.1 Before starting to use

Learn what all the warning and information signs mean on the machine. Read and learn carefully the maintenance instructions manual. Dangerous consequences may occur in case of false and inattentive use of the equipment..



READ AND CARRY OUT CAREFULLY THE SECTIONS WHERE THIS SIGN IS AVAILABLE



Read the manual carefully and make sure you understand it! Do not stand between the equipment and the tractor. Wear suitable working clothes.

1.2 Warning signs







Machine's Serial Number Label



İLG 210

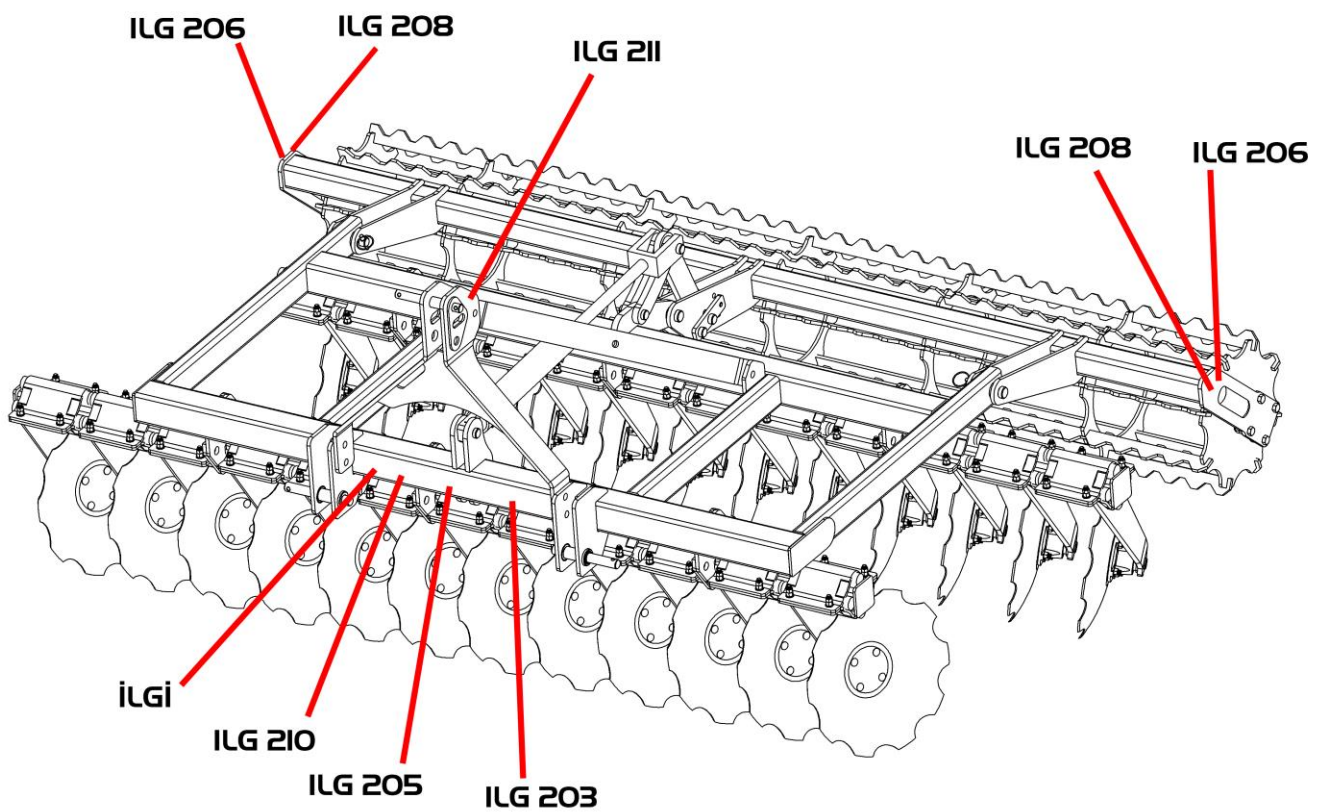


Before starting to use the machine, read the maintenance instructions manual carefully

<p>ILG 203</p>	<p>The CE Mark, indicates that the machine is in accordance with the EU legislations.</p>	
<p>ILG 207</p>		<p>The risk to squeeze your hand or foot between the parts.</p> <p>Don't put any of your organs between shearing moving parts in the signed area.</p>
<p>ILG 205</p>	<p>The risk to get squeezed between the tractor and the equipment Don't enter between the tractor and the equipment.</p>	
<p>ILG 208</p>		<p>The risk of slipping and falling from the chassis of the machine.</p> <p>Please don't step up onto the machine or to use as a platform.</p>
<p>ILG 209</p>	<p>The risk of hit of the turning, folding that is to say moving parts. This danger may result in injuring or death risk.</p> <p>Don't enter the movement area of the parts during the running of the machine</p>	
<p>ILG 206</p>		<p>In case of spotting oil leakage on the hydraulic components the power source must be stopped</p> <p>Control and prevent all the leakages in the hydraulic circuit.</p>

<p>ILG 204</p>	<p>The oil leakages on the hydraulic circuit must be controlled carefully as there is high pressure in that circuit. The pressurized oil may harm your body or skin. Don't try to control and to close the oil leakages manually. Prevent the leakage by carefully reading the instruction manual. Appeal to a health organization in case of any injure.</p>	
<p>ILG 201</p>	<p>Obey all the work safety rules and take precautions during all your installations and repair works. Otherwise there is the risk of injure and death. Take precautions against the slipping and starting to work by itself. Read the relevant sections on the instructions manual and pay attention to the warnings.</p>	
<p>ILG 202</p>	<p>The maximum working pressure of the hydraulic system is 200 bars.</p>	
<p>ILG212</p>	<p>The pieces (stone, clay, machine piece etc.) which can pop out from the machine can cause to injures. Don't get to the machine much closer than the safety distance.</p>	
<p>ILG 211</p>	<p>During the machine's embarkation or transportation, it must be elevated from the points where there are this sign.</p>	

1.3 Warning signs settlement plan



1.4 Safety rules during working

Before Working

- Read carefully all instructions if you're going to use the machine for the first time. Refer to manufacturer company for the matters if you have any suspect.
- The valid rules for safety and protecting against accidents of vocational chambers must be taken into consideration right alongside the instructions of this user manual that belongs to the machine.
- Use appropriate working clothes. Never use hanging clothes. These clothes can be caught by turning and moving machine parts.
- Be careful to lift the machine balanced from indicated points on the machine during transporting the machine to another place.
- Ensure that the person who will operate the tractor which the machine is mounted on must have a driver license, must be an experienced and trained driver.
- Be sure that there aren't other people especially children and pets around the machine before operating the machine, the tractor. Take necessary measures in order to see the environment easily.
- The exhaust gas is poisonous. Therefore the tractor shouldn't be operated in inconvenient and closed areas.
- Front and rear weights for the tractor must be mounted if necessary in the event of any equipment to be installed on the tractor.
- Ensure that the system isn't under pressure before detaching hydraulic hoses and pipes.
- An oil leakage that is under pressure may be dangerous. Shield, protective goggles and gloves must be worn while searching the leakages in order to prevent serious injuries. The oil pressure must be reduced before starting to work with hydraulic system. Ensure that the hydraulic hoses are fastened to proper outputs.
- Please note that the machine mounted on the tractor will change some functions (brake distance, steering wheel control, center of gravity) of the tractor.
- Pressure of the wheels must be checked before outgoing.
- Mount your machine to a tractor which has an appropriate pulling and hydraulically lifting system.
- Apply the parking brake and shift the gear into neutral of the tractor before mounting the machine on the tractor.
- Ensure that there is nobody between the machine and the tractor during the machine is being mounted on and detached from the tractor.
- Start to work with your machine and tractor after all safety measures are taken.
- Special pulling pins must be used while mounting the machine to the tractor; those can endure machine strength and have appropriate thickness.
- Waste materials such as nylon, clothe and obstacles such as tree roots must be cleaned, obstacles (irrigation sets etc.) in the field must be smoothed.
- Never operate in fields with plenty of stones.
- Be careful for the operating area of hydraulic lifting wings. There is a risk of crushing and squeezing.
- It is necessary to be sure about all systems and operating components as well as their functions before starting to work.
- Moving direction of the machine parts which operates hydraulically or by spring force must be taken into account. There is a risk of striking, crushing and squeezing.
- All adjustments explained in the machine manual must be set before starting to operation.

During Operation

- The machine must be stopped in case of an abnormal voice is heard while running of the machine.
- The tractor must be set into motion by softly clutching. Sudden and strong movements may cause dangerous jumping up and rearing up especially while going upwards and pulling loads.
- One or a few passenger never being carried during the tractor in motion except the person who drives the tractor unless the tractor sitting areas are equipped properly.
- Never try to run the tractor or execute maneuvers before the driver sits its chair.
- Never permit anybody to climb on the machine during operation in the field as well as going and coming back from the field.
- Comply with required traffic rules; take safety measures when you go to traffic with your tractor mounted with the machine. Completely comply with instructions for protecting against accidents and safely usage.
- Moving and turning parts never handled.
- Before handling the machinery components, wait them until stop entirely.
- Do not enter between the tractor and the machine while the tractor operating unless the park brake engaged and the wheels hindered with wedges.
- Never put weights on, never permit people climb on, never insert your hands into the machine during operation.
- Never leave the driver sitting area if the tractor is running.
- Be careful of the danger of overthrowing while working in sloping fields.
- Shouldn't go backwards during the operation.
- Never approach the machine, never let people to approach the machine during the operation
- Proper plowing must be performed against the danger of erosion.
- During operation, never insert your arms and feet between the tractor and the machine or never hold the machine.

After finishing of the operation

- Before leaving the tractor, take down the machine mounted on the hydraulic. Apply parking brake, take the engine key after turning off the engine.
- Ensure that it must be taken down the ground completely before leaving the equipment mounted on rear side of the tractor at the end of the operation.
- If it is possible, the tractor must be parked on a smooth place and in this position be shifted in any of the gears and be applied the park brake. If it is to be parked on a sloping field, must be shifted in 1. Gear for uphill, rear gear for downhill and park brake must be applied for both of these situations.
- The machine must be kept clean against the danger of fire.
- The machine will be ready for operation after equipped with all protective systems and taken into safety condition.
- Never stand within the turning and swaying area of the machine.
- Never climb on; never crawl under the machine while the machine mounted on the tractor. Because the machine can bring down at any moment and severe injuries may occur.
- The hydraulic system must be in neutral position while leaving the tractor.

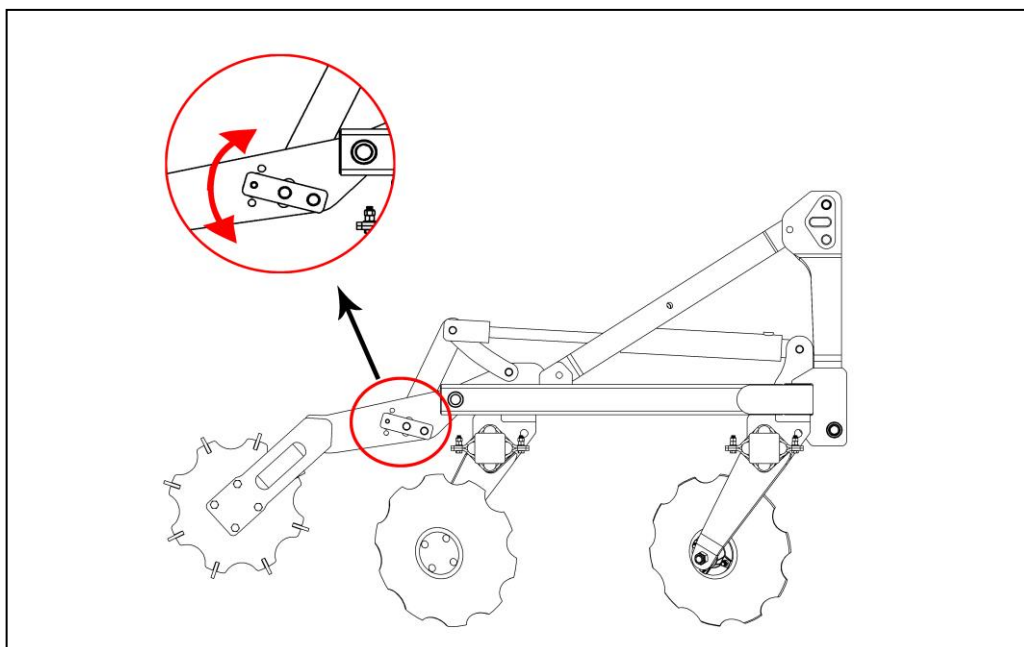
2. INTRODUCTION OF THE MACHINE

2.1 Introductory and basic information related with the properties of the machine

- It provides mixing by processing the soil with certain depth through going directly into the field or after plowing in order to prepare the soil to be planting.
- It blends the plant stems and remnants into the soil by tearing them into pieces which are left in the field after the harvest. Creates mulch.
- It comminutes the soil and crumbles the clods formed in the field after usage of tools such as plow, chisel and cultivator.
- Enables the preparation of seed beds and seedling beds.
- It is effective in struggle for the weeds, comminutes the herbs, blends them into the soil and so enables them to be removed and to be dried.
- Enables the blending of organic and inorganic fertilizers into the soil by taking them under the earth.
- It can operate faster than the other disc soil processing machines. Its' processing quality increases depending on the soil characteristic and humidity condition upon climbing up to 15 km / h speed. Comminuting and blending affects are greater because of vibratory running of the discs. Less need for tractor power. It is more economical than other soil processing machines because of it has greater running speed. Fuel-oil, time, labor and maintenance, spare parts costs are smaller.
- Enables the aeration, fluffing of the soil by stirring and mixing the soil, enables the balance of water and temperature environment.
- It can be used easily and without being forced in every kind of soil

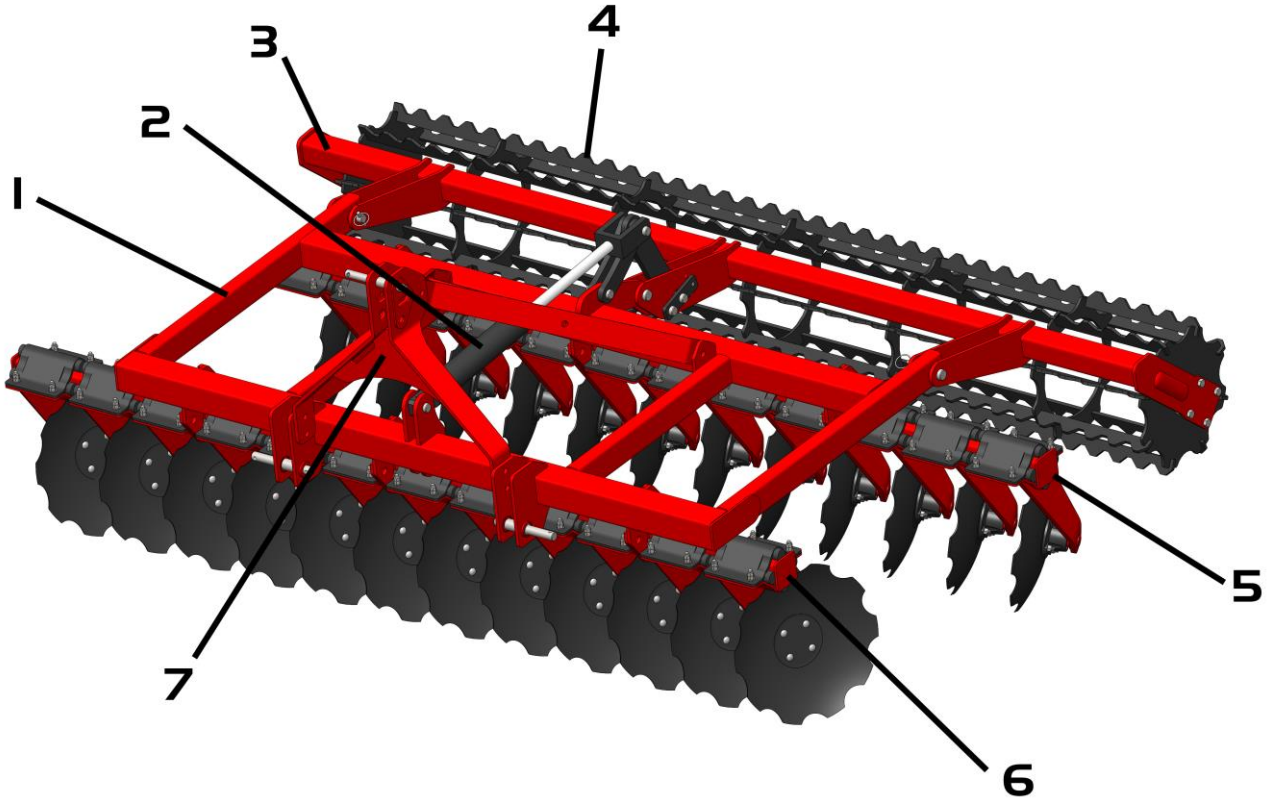
2.2 WORKING DEPTH ADJUSTMENT

- Working depth can be adjusted by the roller
- As shown on drawing there are 5 different sections for depth adjustment
- Every section adjusts 5 cm depth.



2.3 General structure and parts of the machine

Each of front – rear disc groups consist of separate bedded discs. The discs are connected to battery profile with rubber springs at an angle of 14 degrees if it is in perpendicular direction and at an angle of 18 degrees depending on the direction of flow. Spaces between the discs are 24.5 cm. The disc groups are placed as the rear discs operate through the front discs.



Şekil 1

1. Main Chassis
2. Hydrauluc Cylinder
3. Roller Chassis
4. Roller
5. Rear Disc Group
6. Front Disc Group
7. Three Point Hitch System

3. USAGE INFORMATION AND ADJUSTMENTS

3.1 Machinery tractor compliance

The tractor and the machine should be;

- Connecting rods measuring compliance must be (2. Or 3. Category).
- Tractor front rear load balance must be provided for suspended type machinery. Additional weight must be put in front of the tractor if the tractor rearing up in case of removing the machine.



Select a Texas model appropriate with the power of your tractor. Ensure the equipment – tractor weight balance with tractor front weights.

Otherwise your driving safety will be risky, you can't utilize entirely tow-power of your tractor.

Tractor upper connecting rods direction must be towards about tractor transmission, machinery upper connecting alternative holes must be used if (A) direction is not suitable. FIGURE 3

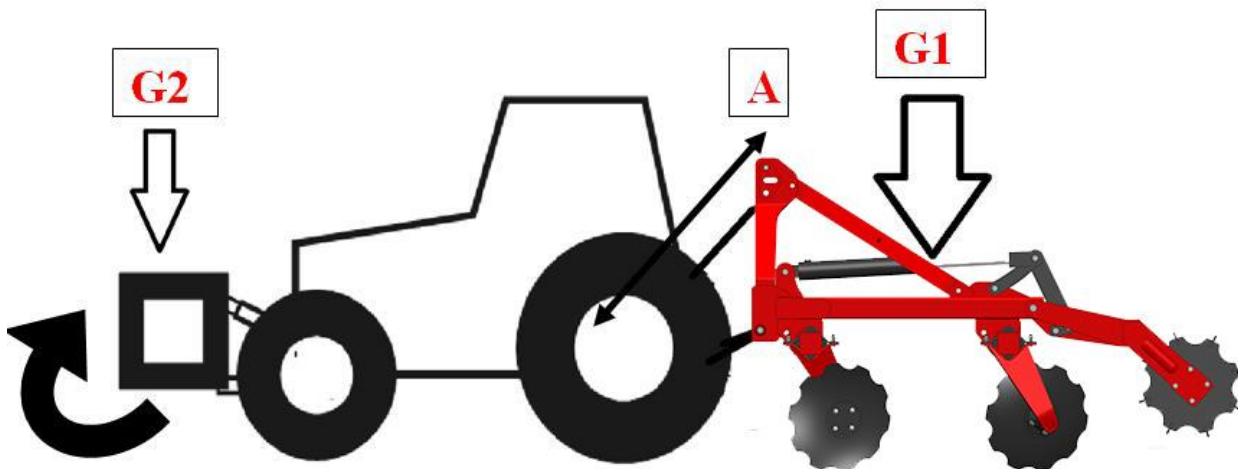


Figure 3



**G 2 WEIGHT TOGETHER WITH G 1 WEIGHT MUST CREATE SCALES BALANCE
And FRONT WEIGHT BALANCE MUST BE OVER BY 10-20%
G2 WEIGHT AMOUNT THAT WILL BE USED IN THE FRONT MUST BE DETERMINED
ACCORDING TO THIS
AFTERWARDS THIS WEIGHT MUST BE ATTACHED**

3.2 To mount and detach it from the tractor

To be mounted on the tractor at rear three point suspension places. It is suitable for category 2 and category 3 connections. You may need to attach additional front weights to your tractor by taking into consideration of machinery total weight before mounting to the tractor. This additional front weight amount may change depending on the weight of front-rear axle of the tractor, and you may need to attach additional weights to front side if a rearing-up occurs in front of the tractor when you lift after mounting the machine.

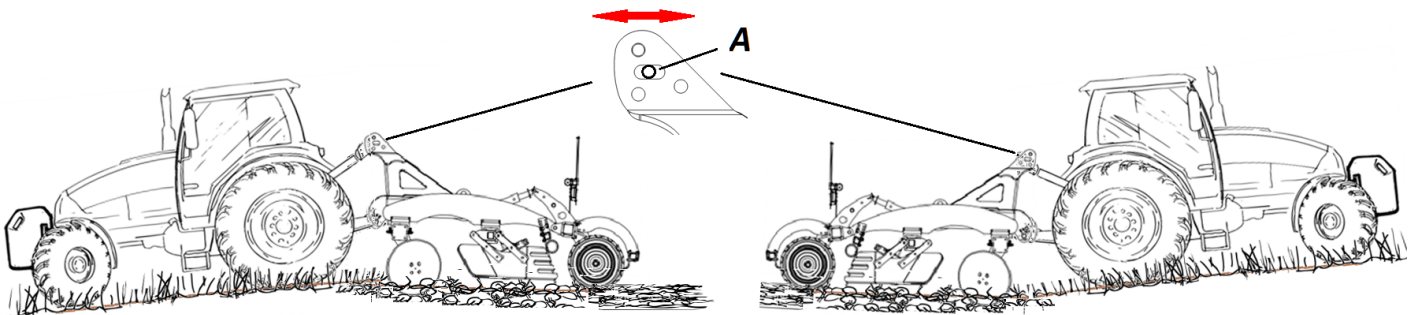
3.3 Right-left and front-rear parallelism adjustment

The machine chassis must be parallel to field plane at front-rear and right-left axis while operating in required working depth for suspended type models. Otherwise the discs doesn't operate in equal working depth, side tow occurs, smoothing of the field will be spoiled.

- **Front-rear parallelism adjustment is made by lengthening and shortening of tractor upper connection handle, (A) it is checked by looking at the side of the machine.**
- **Right-left parallelism adjustment is made by adjusting the height of regulated flank suspension-rods. (B) It is checked by looking at the rear side of the machine.**



WORKING SPEED OF ARAGON MUST BE MIN. 10-15 Km/h DEPENDING ON THE SOIL CONDITION.



4. TILLAGE TECHNIQUE WITH THE CULTIVATOR



Required working depth may not be obtained with one crossing for deep processing in hard soil,

For this situations;

- **Tractor towing power may be inadequate,**
- **Fuel consumption increases,**
- **Your machine may be damaged,**
- **It won't be an economical operation,**
- **Desired working depth is obtained by increasing gradually with a second time plowing.**

Those are recommended in order to increase operation achievement and to reduce the cost at soil cultivating with the cultivator;

Order of the procedure:

1. Being entered from one side according to plowing direction of the field (1)
2. The area which the maneuvers performed at the head of the fields should be left as 7-10 m (according to tractor + machinery rotating diameter), this returning should be made at one time without any maneuver,
3. The plowing is continued on its side by taking a furrow at each 15-30 meters, these distances are important in terms of decreasing the wasted times at least during turnings, the distance may be adjusted according to your own conditions,
4. (2) entrance is performed by taking into account of working depth right next to the previous, and being continued the plowing with (3.) entrance, (figure cross plowing)
5. If the stubble is being processed; it is recommended that first layer crossing should be made as creating a 30-40 degree cross angle (figure cross plowing) towards the direction of harvest lines unless the field surface is not rough. Because; field smoothing will be better, cutting of the stubble and weeds will be more effective,
6. Straight plowing is recommended in terms of running easily of the sowing machine that will operate afterwards for the second layer crossing.
7. Finally head of the field returning areas are plowed after the field plowed entirely. (4)

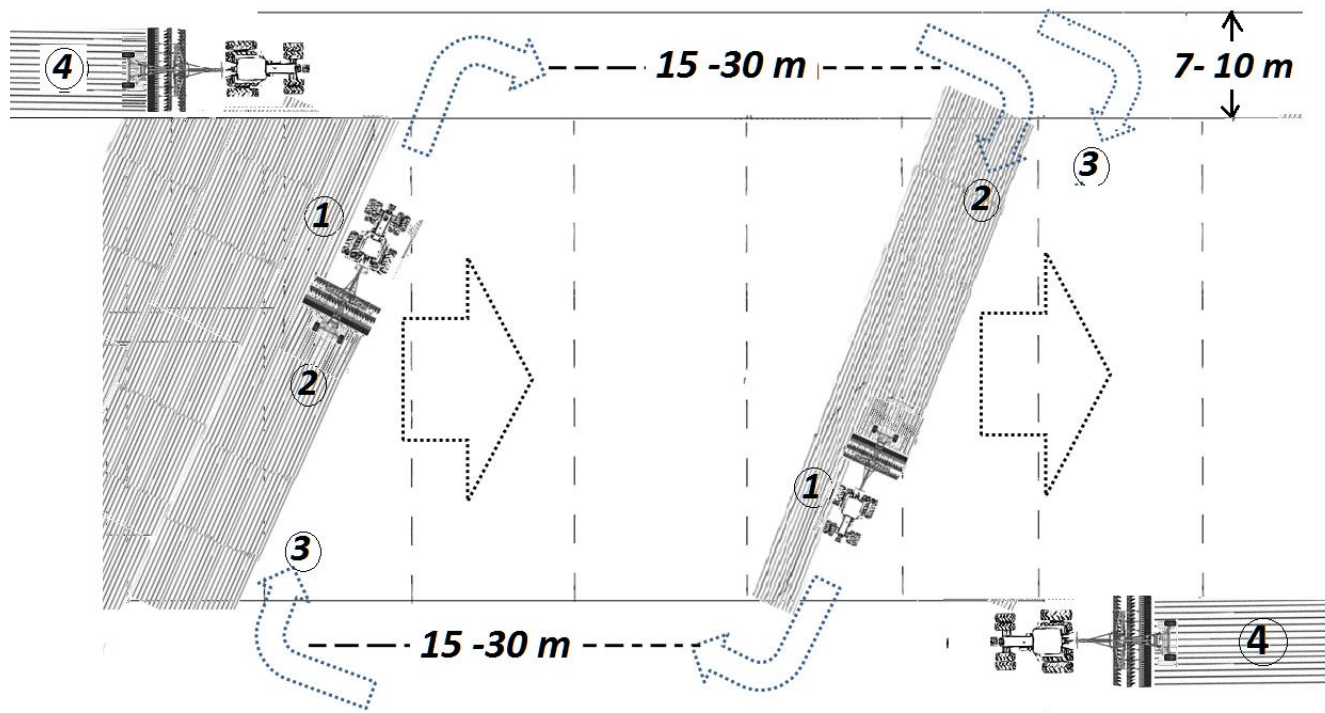


The feet must be taken out from the earth at the field heads, and never turn with the feet inside the earth.

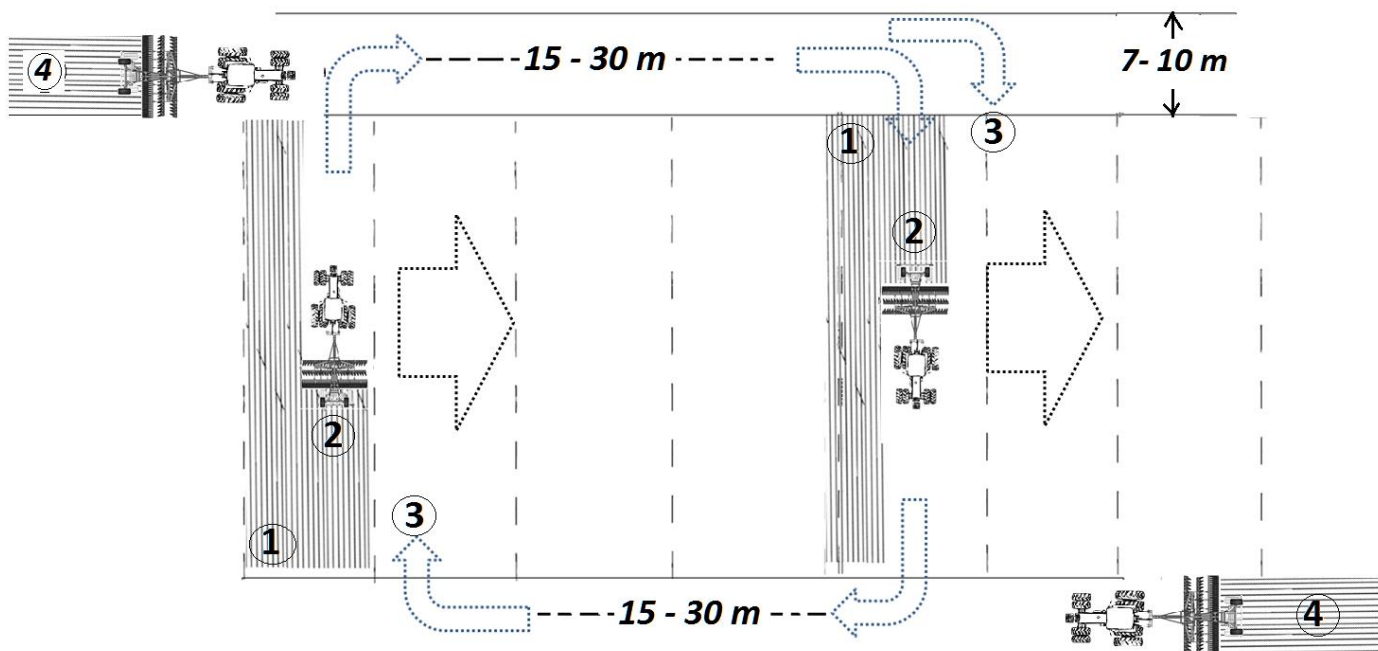


The furrow distance must be about an exact multiple of the machinery working width, Example: $6\text{ m} \times 6 = 36\text{ m}$

Cross Tillage



Straight Tillage



5. MAINTENANCE and REPAIR



While performing repairs and maintenance over the machinery

- Tractor must be stopped and park brake must be applied.
- Precautions must be taken against the slipping and falling risk of the machine.
- Appropriate wrenches and tools must be used for repairs.
- Disconnect the alternator and accumulator cables of the tractor in case of welding process.
- The spare parts to be used must be original ILGI parts.

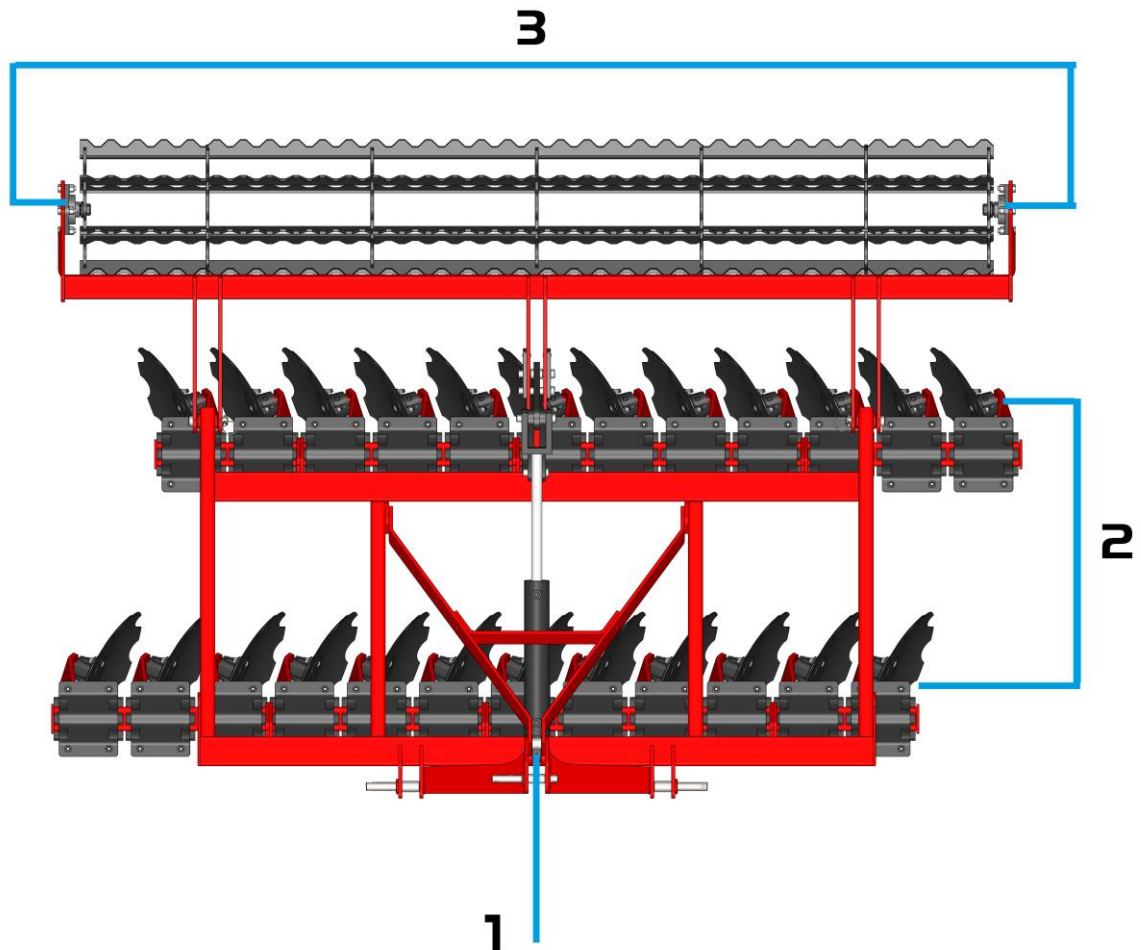
5.1 Maintenance-repair which can be done by user and the rules that must be complied

- Machinery greasing points must be lubricated periodically and after each pressurized-washing. It is very important in terms of an uninterrupted operation without any failure and in order to reduce repair costs.
- The frequency of periodic maintenance may vary depending on the factors such as working conditions, soil characteristic, and working speed.
- Greasing process must be performed sequentially without skipping according to lubricating grease schematic.
- Tightness of all bolts and nuts must be checked at regular intervals and tightened with proper torque during all the season and after first working hour.
- Carrying wheels lug nuts must be checked after first outgoing for towed models. Tightening torque for lug nut is 320 Nm.
- Hydraulic cylinders and bearing beds must be cleaned with high-pressurized water. Otherwise the felts may be damaged.
- If the machine won't be used for a long time, it must be kept in a covered place.

5.2 Lubrication - grease fitting schematic



Grease fitting points on the machine are marked with this label, pump grease to these points according to lubrication table.



MODEL : ARG 20 ,24 ,28

Figure no	Lubrication point	Lubrication frequency	Used oil	Number of grease fittings
1	Hydraulic Cylinder	50 hours	Grease oil	1
2	Disc hub roller bearings (at lubricating bearings)	2 times in a season	Grease oil	According to disc number
3	Roller Bearing	50 hours	Grease oil	2

5.3 End of season maintenance

Connection components; Check the tightness. Tighten all bolts. Fasten new bolts in place of missing bolts.

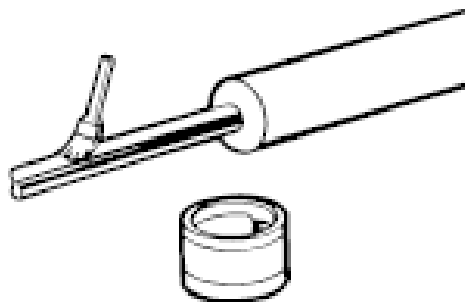
Grease fittings; Pump grease oil into the grease fittings on the machine according to the instructions. Replace the grease fittings which pulled out or can't be pumped by grease oil.

Operating components; Lubricate the operating parts of the machine with a protective oil.

Other; Replace the worn or broken parts with the original ones. Keep the machinery in a closed and dry environment, on a block after fulfilling general cleaning of the machinery.

Disconnect the tire wheels from the ground by placing wedges under the chassis.

Cover the surfaces of the hydraulic cylinder piston levels with protective grease against the rust in winter term, out of the season.



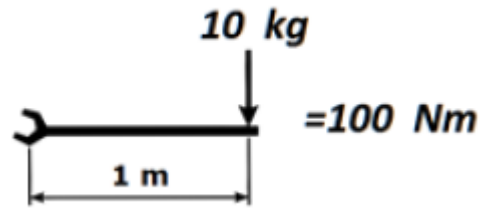
You can always apply to iLGi for assistance in case of problems encountered related with the maintenance, repair and usage by giving the information below.

- **Customer name and address**
- **Model of the machinery**
- **Purchasing date and the amount of the operation space (decare)**
- **Detail of the encountered problem**

5.4 Values for bolt torque



The meanings of torque values:
We would have applied 100 Nm torque if we tighten by applying 10 kg strength with a 1 meter-long wrench.



8.8

10.9

12.9

M	S	Nm		
		8.8	10.9	12.9
M 8	13	25	35	41
M 8x1		27	38	41
M 10	16 (17)	49	69	83
M 10x1		52	73	88
M 12	18 (19)	86	120	145
M 12x1,5		90	125	150
M 14	22	135	190	230
M 14x1,5		150	210	250
M 16	24	210	300	355
M 16x1,5		225	315	380
M 18	27	290	405	485
M 18x1,5		325	460	550
M 20	30	410	580	690
M 20x1,5		460	640	770
M 22	32	550	780	930
M 22x1,5		610	860	1050
M 24	36	710	1000	1200
M 24x2		780	1100	1300
M 27	41	1050	1500	1800
M 27x2		1150	1600	1950
M 30	46	1450	2000	2400
M 30x2		1600	2250	2700

6. POSSIBLE FAILURES AND TROUBLESHOOTING

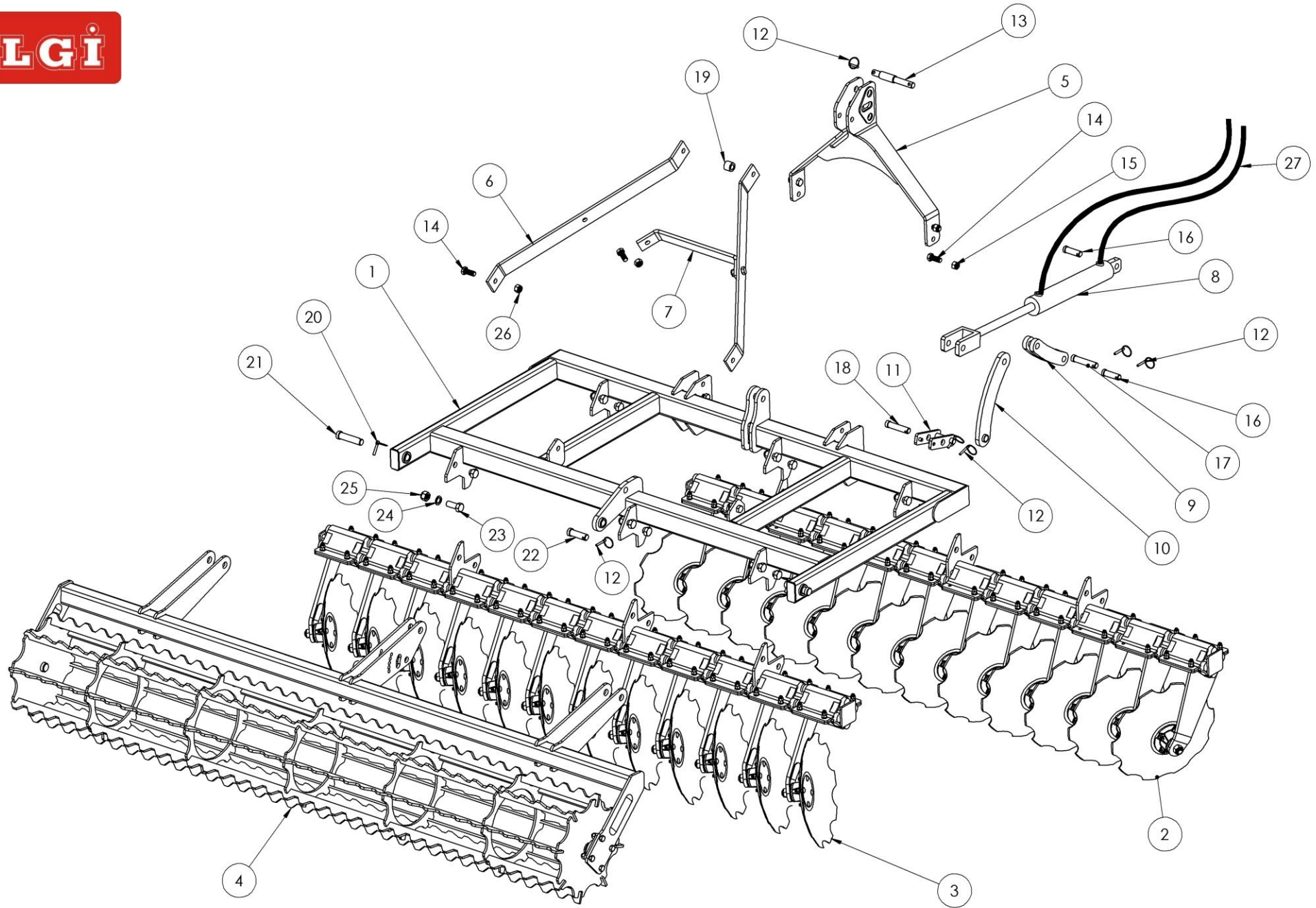
FAILURE	CAUSE	TROUBLESHOOTING
The machine lean towards right or left	Front and rear disc groups may be operating at different work depths	Make the adjustment of the machine front rear parallelism at the upper connection of the tractor
Front and rear batteries operate at different working depths	Front rear parallelism adjustment was not done	The chassis parallelism adjustment must be made at stretcher lever attached to axle and arrow
The wheels are swaying and rotating under strained	<ul style="list-style-type: none"> * There's congestion in the bearings, adequate lubrication wasn't done * Broken cracking at hub bearings 	Bearings are examined by detaching the hub, deformed ones replaced. Lubrication is made.
Hydraulic system doesn't lift	<ul style="list-style-type: none"> * Oil is reduced in tractor hydraulic oil reservoir * Leakage may be in the hydraulic circuit * Hydraulic cylinder felt may be burst. 	<ul style="list-style-type: none"> * Hydraulic oil level must be checked * Entire hydraulic circuit must be checked, the leakages must be repaired. * Hydraulic cylinders must be checked by detaching.
The discs are rotating hardly in free condition or not rotating	<ul style="list-style-type: none"> * There's congestion in the bearings, adequate lubrication wasn't done * The bearing was deformed or broken 	<ul style="list-style-type: none"> * The grease fittings are replaced by detaching if the bearings not getting enough oil, and pumped oil again by removing oil plug. * If necessary bearings are checked by detaching the bearings, replaced if necessary, gathered again after cleaning. * Broken and cracked parts are replaced.
The machine can't provide the required working depth.	<ul style="list-style-type: none"> * The characteristic of the soil may be hard. * Disc diameters are shrunk due to normal wear. 	* The discs are replaced as a set if there's too much wear by measuring the discs (wear time may vary depending on the cultivated soil characteristic)

7. TECHNICAL FEATURES

MODEL	TXS 20	TXS 24	TXS 28
Working width (m)	2,70	3,20	3,70
Transport width (m)	2,90	3,40	3,90
Machine (kg) weight	1098	1294	1492
Diameter of the disc(mm)	510-560	510-560	510-560
Number of discs	20	24	28
Tractor (HP)	70-90	80-100	90-110

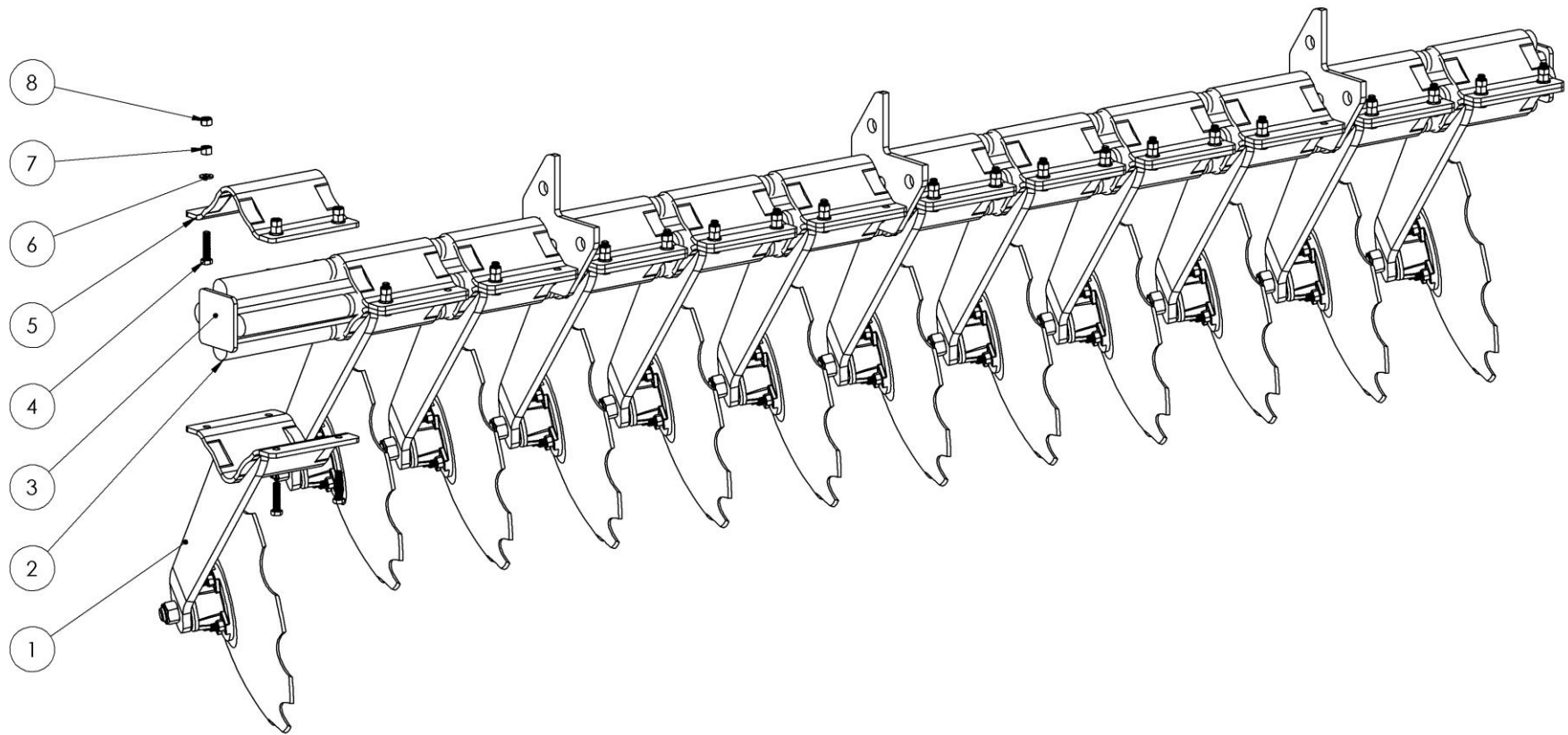
(*)Our company may change technical specifications of the models without notifying.

(**)Machinery power requirements may vary depending on the characteristic of cultivated soil.



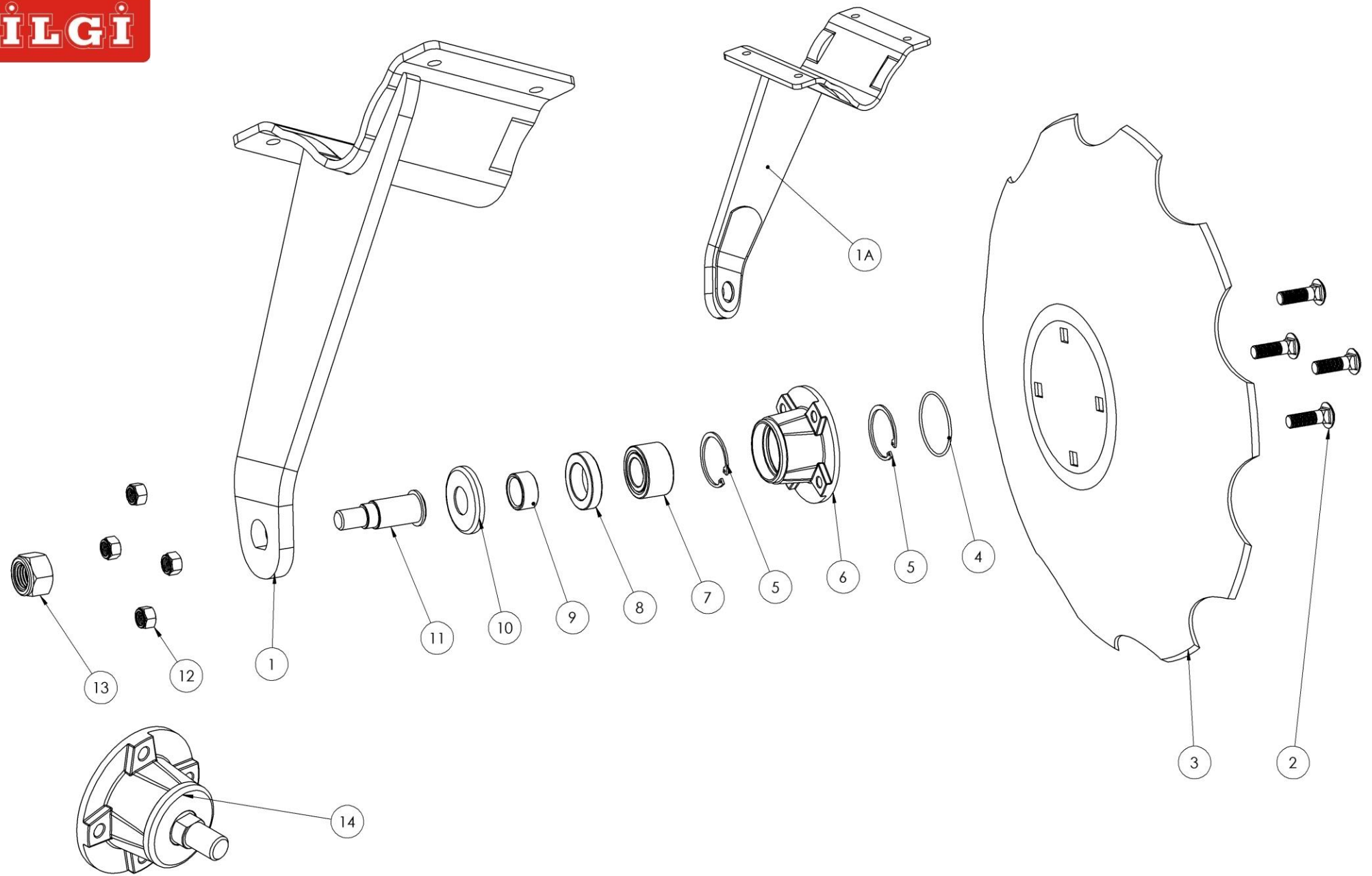
GENERAL ASSEMBLY

NO	PART CODE	NAME & DESCRIPTION
1	2.TXS.100.00.000.0	MAIN FRAME 20-24-28
2	2.TXS.240.00.000.0	FRONT GANG FRAME 20 DISC
	2.TXS.200.00.000.0	FRONT GANG FRAME 24 DISC
	2.TXS.220.00.000.0	FRONT GANG FRAME 28 DISC
	2.TXS.270.00.000.0	FRONT GANG FRAME 20 Ø560 DISC
	2.TXS.290.00.000.0	FRONT GANG FRAME 24 Ø560 DISC
	2.TXS.297.00.000.0	FRONT GANG FRAME 28 Ø560 DISC
3	2.TXS.250.00.000.0	BACK GANG FRAME 20 DISC
	2.TXS.210.00.000.0	BACK GANG FRAME 24 DISC
	2.TXS.230.00.000.0	BACK GANG FRAME 28 DISC
	2.TXS.280.00.000.0	BACK GANG FRAME 20 DISC Ø560
	2.TXS.295.00.000.0	BACK GANG FRAME 24 DISC Ø560
	2.TXS.296.00.000.0	BACK GANG FRAME 28 DISC Ø560
4	2.TXS.260.00.000.0	NOTCHED CAGE ROLLER 2,5M ALL
	2.TXS.263.00.000.0	NOTCHED CAGE ROLLER 2,5M ALL PLUS
	2.TXS.300.00.000.0	NOTCHED CAGE ROLLER 3M ALL
	2.TXS.304.00.000.0	NOTCHED CAGE ROLLER 3M ALL PLUS
	2.TXS.350.00.000.0	NOTCHED CAGE ROLLER 3,5M ALL
	2.TXS.353.00.000.0	NOTCHED CAGE ROLLER 3,5M ALL PLUS
5	2.FRZ.101.00.000.0	THREE POINT JOIN
6	2.FRZ.000.00.001.0	TENSION SHEET
7	2.FRZ.000.00.002.0	TENSION MIDDLE SHEET
8	7.4.3.1096	HID. CYLINDER Ø70x35 H:403 K:737 A:1140
9	2.MX.100.08.000.0	ROLLER MOTION SHEET GROUP
10	2.TXS.000.01.000.0	ROLLER MOTION SHEET OR BUSHING
11	2.MX.100.08.000.0	DEPTH SETTING SHEET GROUP
12	7.4.28.1002	SPRING PIN Ø8
13	7.2.5.FECO.0008	TOP JOIN PIN
14	7.4.18.1212	BOLT M20x50 DIN 931
15	7.4.23.1041	NUT M20 DIN 985
16	7.2.5.MX.0014	ROLLER DEPTH SETTING SHORT PIN
17	7.2.5.MX.0017	ROLLER DEPTH SETTING LONG PIN
18	7.2.5.MX.0016	ROLLER MOTION JOIN PIN
19	7.2.5.FECO.0007	BUSHING Ø30X5
20	7.4.28.1001	SPRING PIN Ø10
21	7.2.5.TXS.0002	ROLLER JOIN PIN
22	7.2.5.MX.0015	ROLLER MOTION DOWN JOIN PIN
23	7.4.18.1256	BOLT M24x60 DIN 931
24	7.4.24.1013	SPRING WASHER M24 DIN 127/B
25	7.4.23.1043	NUT M24 DIN 985
26	7.4.23.1041	NUT M20 DIN 985
27	2.MX.000.00.000.0	TXS HOSE GROUP



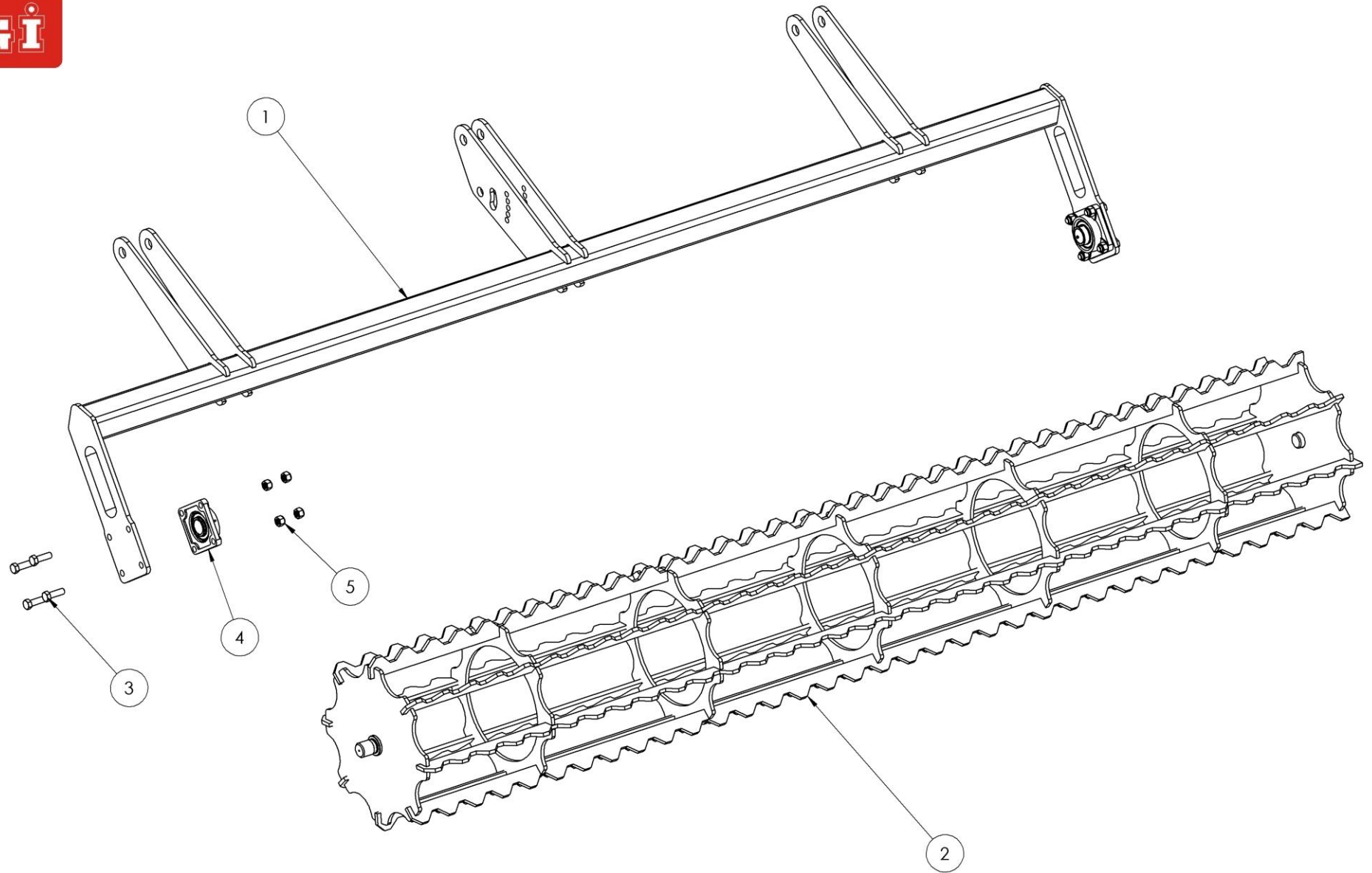
GANG GROUP

NO	PART CODE	NAME & DESCRIPTION
1	2.ARG.202.00.000.0	FRONT DISC TINE GROUP
	2.ARG.221.00.000.0	FRONT DISC TINE GROUP Ø560
	2.ARG.211.00.000.0	BACK DISC TINE GROUP
	2.ARG.231.00.000.0	BACK DISC TINE GROUP Ø560
2	7.2.2.1020	SPRING RUBBER 235MM
3	2.TXS.241.00.000.0	FRONT GANG FRAME 20 (2,5M)
	2.TXS.201.00.000.0	FRONT GANG FRAME 24 (3M)
	2.TXS.221.00.000.0	FRONT GANG FRAME 28 (3,5M)
	2.TXS.251.00.000.0	BACK GANG FRAME 20 (2,5M)
	2.TXS.210.01.000.0	BACK GANG FRAME 24 (3M)
	2.TXS.231.00.000.0	BACK GANG FRAME 28 (3,5M)
4	7.4.18.1122	BOLT M12x50 DIN 933
5	2.MX.150.02.002.0	CLAMP SHEET
6	7.4.20.1007	WASHER M12 DIN 126
7	7.4.23.1011	NUT M12 DIN 934
8	7.4.23.1037	NUT M12 DIN 985



FRONT – BACK TINE

NO	PART CODE	NAME & DESCRIPTION
1	2.ARG.202.01.000.0	FRONT TINE
	2.ARG.221.01.000.0	FRONT TINE Ø560
1A	2.ARG.211.01.000.0	BACK TINE
	2.ARG.231.01.000.0	BACK TINE Ø560
2	7.4.18.2194	BOLT M12x40 DIN 603
3	7.4.17.1026	DISC Ø 510
4	7.2.1.1066	O-RING 74x3
5	7.4.4.1014	CIRCLIP DIN 472 65x2,5
6	7.2.7.1002	DISC HUB
7	7.4.15.1025	BEARING ORS 320707
8	7.4.16.1024	SEAL 45 X 70 X 14 / 17
9	2.MX.150.02.004.0	SEAL SUPPORT BUSHING
10	2.MX.150.02.006.0	SEAL SUPPORT CAP
11	7.2.5.1028	DISC TINE AXIS
12	7.4.23.1037	NUT M12 DIN 985
13	7.4.23.1080	NUT M24x1,5 DIN 985
14	2.MX.400.00.000.0	DISC HUB GROUP



ROLLER GROUP

NO	PART CODE	NAME & DESCRIPTION
1	2.TXS.261.00.000.0	ROLLER CHASSIS 2,5M
	2.TXS.264.00.000.0	ROLLER CHASSIS 2,5M PLUS
	2.TXS.301.00.000.0	ROLLER CHASSIS 3M
	2.TXS.305.00.000.0	ROLLER CHASSIS 3M PLUS
	2.TXS.351.00.000.0	ROLLER CHASSIS 3,5M
	2.TXS.354.00.000.0	ROLLER CHASSIS 3,5M PLUS
2	2.TXS.262.00.000.0	NOTCHED CAGE ROLLER 2,5M
	2.TXS.265.00.000.0	NOTCHED CAGE ROLLER 2,5M PLUS
	2.TXS.302.00.000.0	NOTCHED CAGE ROLLER 3M
	2.TXS.306.00.000.0	NOTCHED CAGE ROLLER 3M PLUS
	2.TXS.352.00.000.0	NOTCHED CAGE ROLLER 3,5M
	2.TXS.355.00.000.0	NOTCHED CAGE ROLLER 3M PLUS
3	7.4.18.1170	BOLT M16x50 DIN 931
4	7.4.15.1010	BEARING UCF 208
5	7.4.23.1039	NUT M16 DIN 985



For Better Farming

ILGI TARIM MAKINALARI SAN. TIC. LTD. ŐTI.
Sazlı Mah. 17. Sk. No. 4/Z1 Söke/AYDIN
TEL.: +90 256 554 67 00 Fax: +90 256 554 60 07
info@ilgitarim www.ilgitarim.com